

R309

Mini excavator



Operating rod hydraulic pilot operation



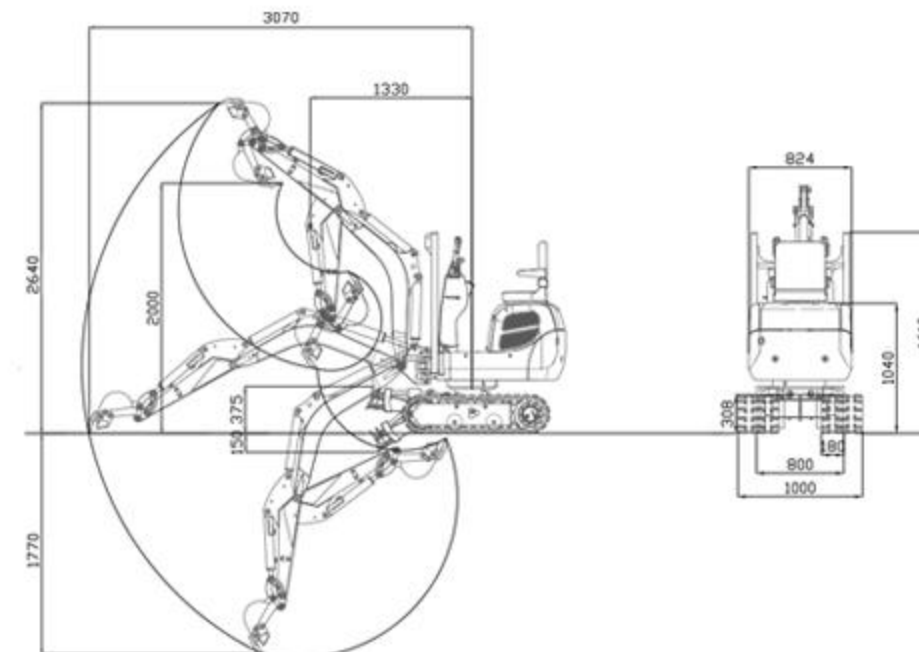
Hydraulic cylinder One-piece forging, not easy to break



Engines Kubota and Koop engines are available for assembly



Retractable track convenient for narrow space operation



- ◆ One oil cylinder forging molding, not easy to break, built-in NOK sealing ring;
- ◆ Enhanced design of the moving arm, bucket pole, dig bucket, make the whole machine has a longer service life;
- ◆ Structural parts use stainless steel or plastic injection treatment, to extend the service life;
- ◆ 360 degrees rotation, easy to learn, flexible operation, easy to master;
- ◆ Import spare parts to improve the overall performance of the machine.

Product parameters

Total Weight	1200kg	Maximum unloading height	1930mm
Total length	2780mm	Minimum ground clearance	246mm
Total width	1000mm	engine brand	Kubota/Koop
Total height	2300mm	engine model	D902/192F
Maximum digging radius	3100mm	Output Power	11.8kw/8.2kw
Maximum excavation depth	1600mm	Walking speed	0-1.8km/h
Maximum excavation height	2650mm	Climbing angle	30%

