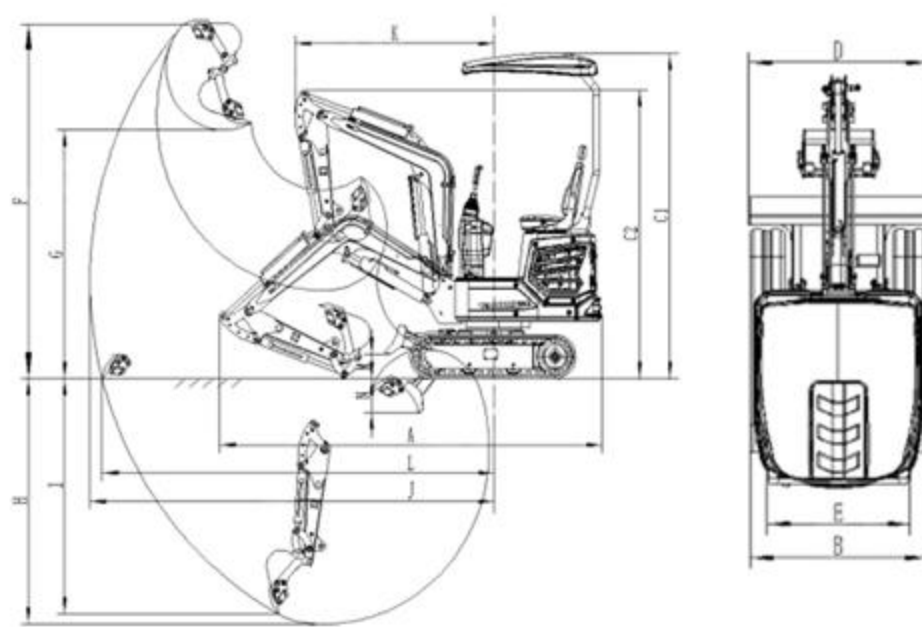


L328

Mini excavator



- ◆ New tailless excavator;
- ◆ Imported Kubota engine, European five emissions, less fuel consumption;
- ◆ Pilot control, silent operation;
- ◆ All imported accessories, the machine performance is more stable;
- ◆ Using the hydraulic pilot handle, more flexible operation, small control force.



Engines

using Kubota engine, low noise, low vibration of environmental protection design



Stop valve

can be equipped with auxiliary tools, to prevent oil leakage



Electronic display screen

clear data display, easy to work



Walking motor

American Eaton motor, with a sealing ring inside

Product parameters

Total Weight	1800kg	Maximum unloading height	2310mm
Total length	3635mm	Minimum ground clearance	437mm
Total width	1100mm	engine brand	Kubota
Total height	2700mm	engine model	D902
Maximum digging radius	3470mm	Output Power	11.8kw
Maximum excavation depth	2150mm	Walking speed	0-4.5km/h
Maximum excavation height	3275mm	Climbing angle	30%

