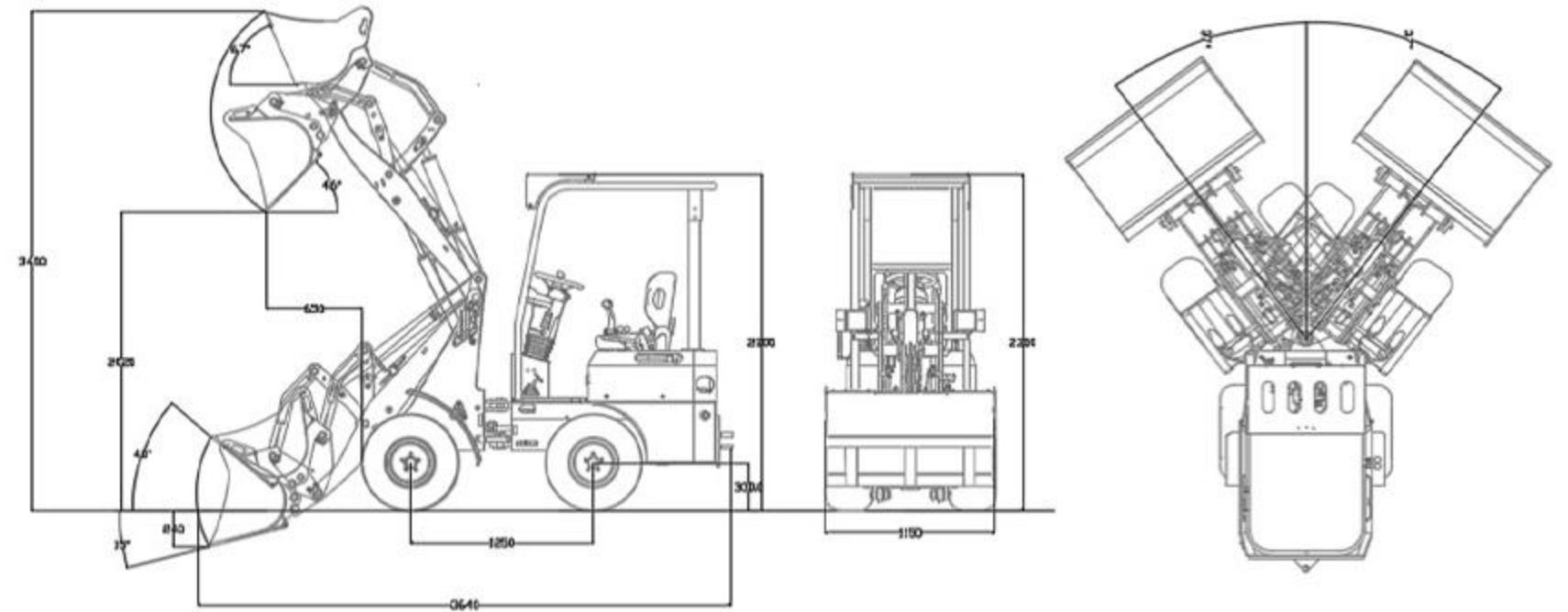


R906

Mini Loader



Engine

using Kubota engine, low noise, low vibration of environmental protection design



Steering wheel

using the steering wheel operation, simple and easy to learn



bucket

increase the capacity of the bucket, efficient work



Radiator

excellent material, uniform heat dissipation

- ◆ Brand-new small-size loader;
- ◆ Import accessories to improve the overall performance of the machine;
- ◆ Oil cylinder once forging molding, not easy to break, built-in NOK sealing ring;
- ◆ The Use of high-quality thickened steel, the use of plastic injection process treatment, rust prevention and corrosion resistance;
- ◆ Adopt the international famous brand engine, stable operation, high reliability;

Product parameters

Total Weight	1700kg	Discharge distance	650mm
Total length	3650mm	Minimum turning radius	2.4m
Total width	1150mm	engine brand	Kubota
Total height	2300mm	engine model	D1105
Rated bucket capacity	0.6m ³	Output Power	18.2kw
Rated charge mass	600kg	Walking speed	0-12km/h
Maximum discharge height	2050mm	Climbing angle	25%

