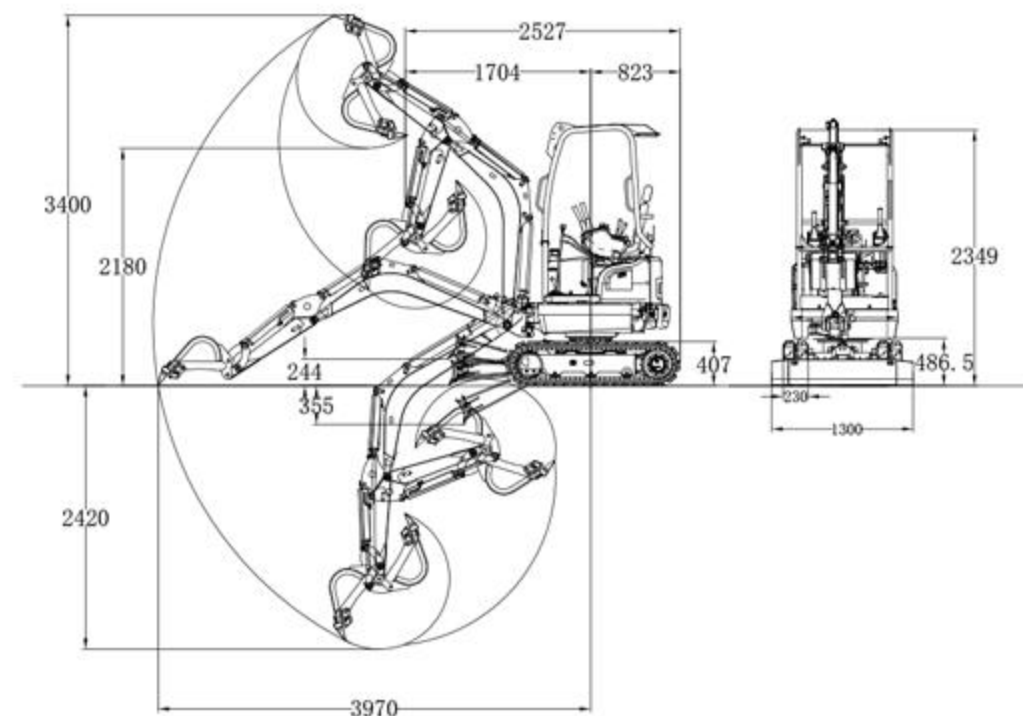




L335W

Mini excavator



- ◆ Import accessories to improve the overall performance of the machine;
- ◆ Oil cylinder once forging molding, not easy to break, built-in NOK sealing ring;
- ◆ The Use of high-quality thickened steel, the use of plastic injection process treatment, rust prevention and corrosion resistance;
- ◆ Adopt the international famous brand reducer, stable operation, high reliability;
- ◆ The 360-degree body rotates freely, and the flexible body brings convenience for outdoor work.

Product parameters

| | | | |
|---------------------------|--------|--------------------------|-----------|
| Total Weight | 2200kg | Maximum unloading height | 2440mm |
| Total length | 3585mm | Minimum ground clearance | 450mm |
| Total width | 1300mm | engine brand | Kubota |
| Total height | 2360mm | engine model | D902 |
| Maximum digging radius | 4050mm | Output Power | 11.8kw |
| Maximum excavation depth | 2490mm | Walking speed | 0-4.5km/h |
| Maximum excavation height | 3580mm | Climbing angle | 30% |

1



Engine

using Kubota engine, low noise, low vibration of environmental protection design

2



Electronic display screen
clear data display, easy to work

3



Large arm swing

wide working range, simple to operate

4



Bulldozer board
lengthened, very thick and strong