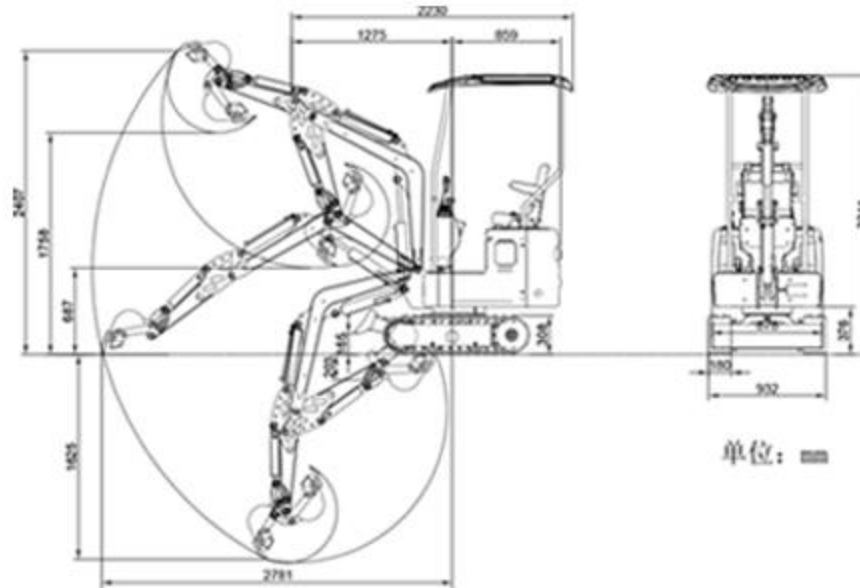


R319

Mini excavator



1



Kubota



Changchai

R319 pro is equipped with big brand Kubota engine, optional Changchai, Yanmar engine, strong power, easier work.



hydraulic cylinder

One-piece forging, not easy to break



Tubing

Using German Continental tubing, durable



Walking motor

American Eaton motor, with a sealing ring inside

Product parameters

Total Weight	1000kg	Maximum unloading height	1910mm
Total length	2780mm	Minimum ground clearance	385mm
Total width	930mm	engine brand	Changchai
Total height	2220mm	engine model	192F
Maximum digging radius	2800mm	Output Power	8.2kw
Maximum excavation depth	1500mm	Walking speed	0-1.44km/h
Maximum excavation height	2480mm	Climbing angle	30%

