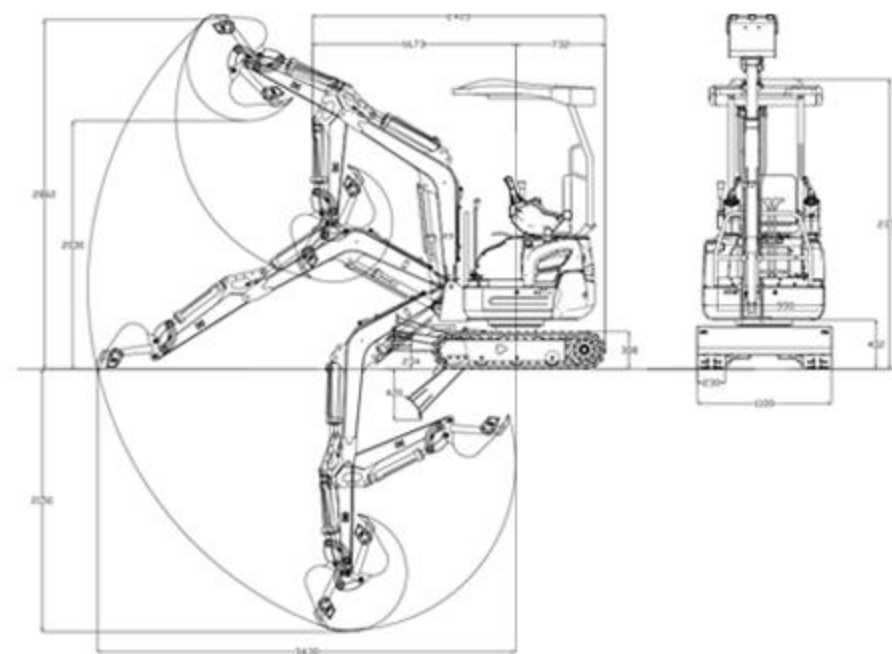


# L330

## Mini excavator



1



### Kubota Engines

using Kubota engine, low noise, low vibration of environmental protection design

2



### Body protection design

The boom cylinder is located on the back of the boom. There is no need to worry about damage to the boom cylinder when carrying out operations

3



### Safe cab

with a ROPS & FOPS certification system

4



### No tail swivel, boom side shift

Boom side shift and tailless slew, two functions at the same time, help you deal with complex environment and barrier-free construction.

5



### Central slewing support

The ring gear is large and the internal teeth are used for stronger stability

## Product parameters

Total Weight	2000kg	Maximum unloading height	2250mm
Total length	4050mm	Minimum ground clearance	415mm
Total width	1300mm	engine brand	Kubota
Total height	2300mm	engine model	D902
Maximum digging radius	4023mm	Output Power	11.8kw
Maximum excavation depth	2250mm	Walking speed	0-1.8km/h
Maximum excavation height	2951mm	Climbing angle	30%